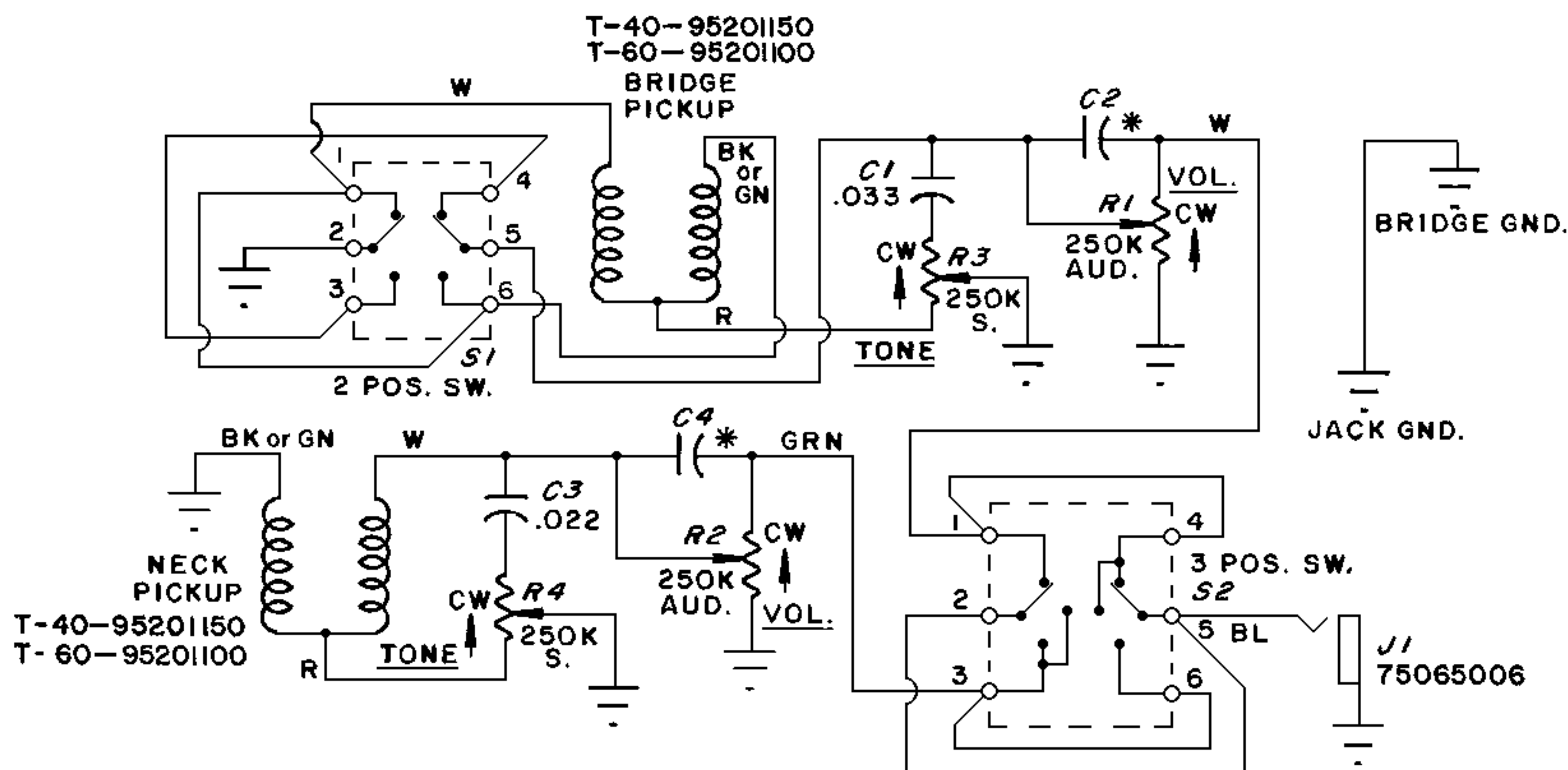
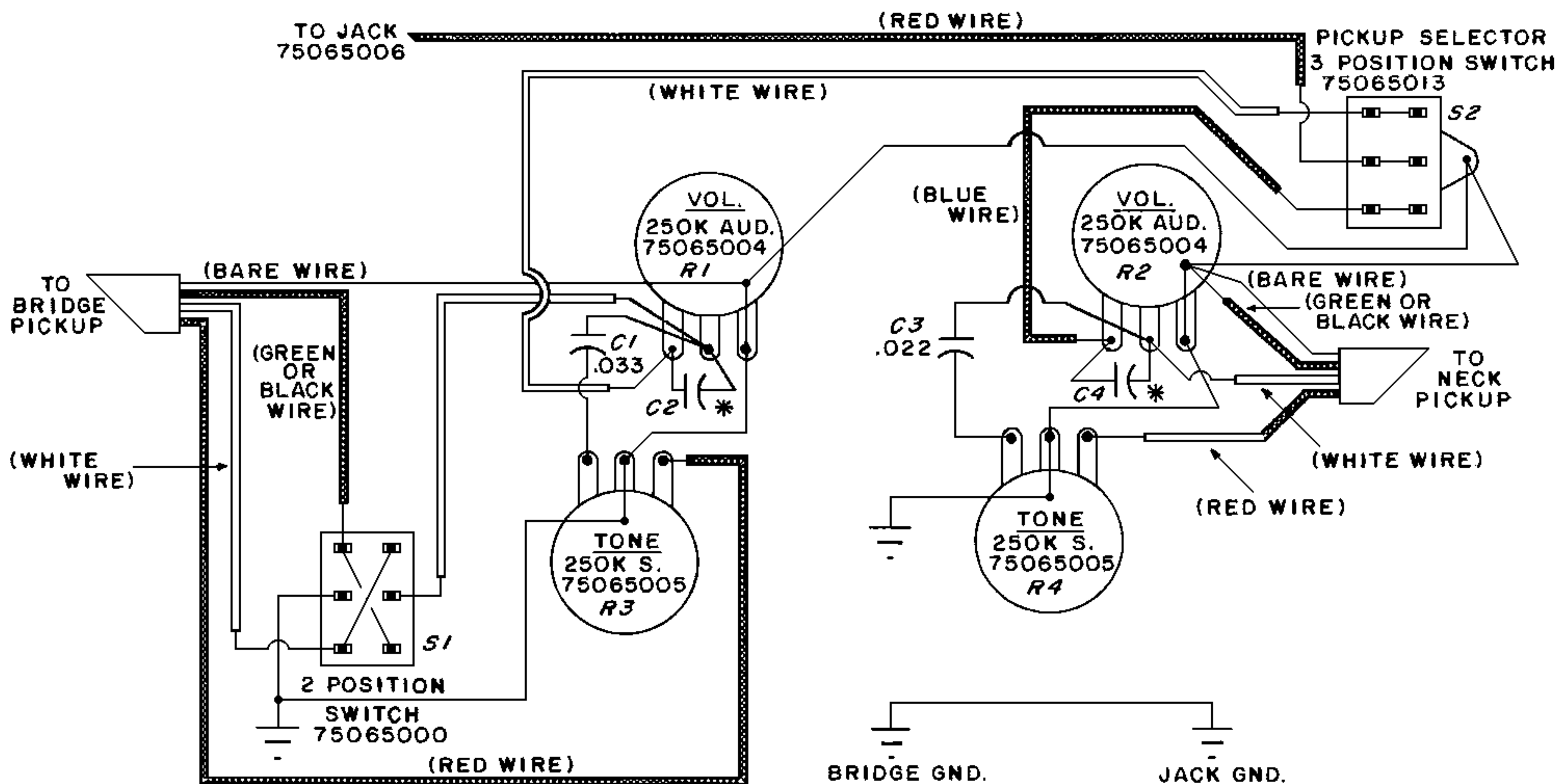


T-40® & T-60® WIRING DIAGRAM

REAR VIEW



NOTES

- ALL POT VALUES IN OHMS
- ALL CAPACITORS IN MFD
- *.01 ON T-40 ; .001 ON T-60
- PROTECTED UNDER PATENT 4,164,163

REVISED 4/11/85 *ds*

PEAVEY ELECTRONICS CORP.
MERIDIAN, MS.

DRAWN BY *RES* DATE 4/19/83

CK. BY *RS* 4-26-83

APPR. BY *MJD*